

## MEDICAL GAS OUTLET-BRITISH STANDARD



### DESCRIPTION

Designed and Manufactured in the UK, the Precision CPX Terminal Units comprise a First fix, Second fix and 2nd fix Valve assembly.

The first fix is available with a  $\varnothing$ 12mm BS EN 13348 copper pipe for brazing to the fixed pipeline system or with a NIST BS EN739 (non-interchangeable-screw-thread) connector for connection to a hose assembly.

Terminal units are available for oxygen, nitrous oxide, 50% oxygen/50% nitrous oxide mixture, medical air, surgical air, medical vacuum and AGSS.

Mounting options include Surface, Flush, Bedhead and Pendant

Test plugs are included with flush, surface and bedhead types for first fix pressure testing on site.

### DESIGNED TO MEET THE REQUIREMENTS OF

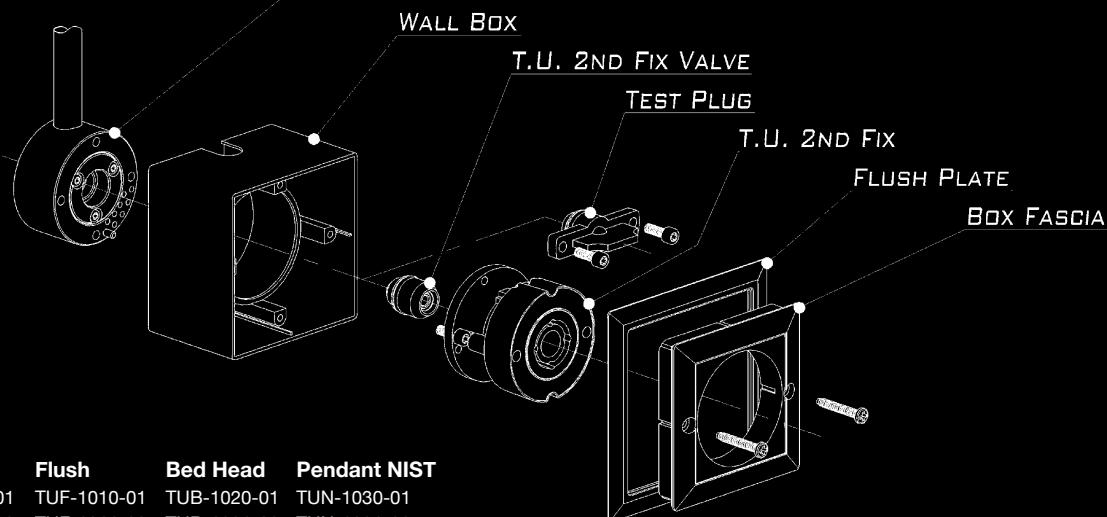
- HTM 2022 Medical Gas Pipeline Systems.
- C11 NHS Model Engineering Specification – Medical Gases.
- BS EN 737-1 Terminal units for compressed medical gases and vacuum.
- BS 5682 Specification for probes (quick connectors) for medical gases
- BS 6834 Active anaesthetic gas scavenging systems.
- Medical Device Directive 93/42/EEC  $\text{CE}$  0086.



# MEDICAL GAS OUTLET-BRITISH STANDARD



## EXPLODED VIEW



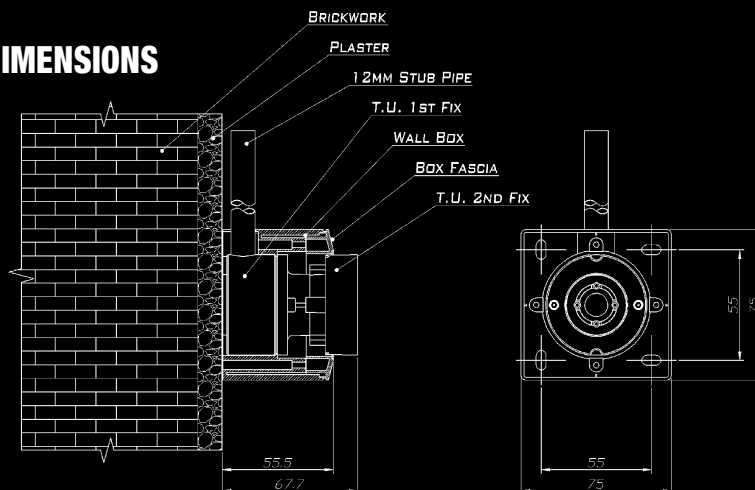
## PART NUMBER

Gas Type	Surface	Flush	Bed Head	Pendant NIST
Oxygen	TUS-1000-01	TUF-1010-01	TUB-1020-01	TUN-1030-01
Nitrous Oxide	TUS-1001-02	TUF-1011-02	TUB-1021-02	TUN-1031-02
50% O <sub>2</sub> /50% N <sub>2</sub> O	TUS-1002-03	TUF-1012-03	TUB-1022-03	TUN-1032-03
Medical Air 4 Bar	TUS-1003-04	TUF-1013-04	TUB-1023-04	TUN-1033-04
Surgical Air 7 Bar	TUS-1004-05	TUF-1014-05	TUB-1024-05	TUN-1034-05
Vacuum	TUS-1005-06	TUF-1015-06	TUB-1025-06	TUN-1035-06
AGSS	TUS-1006-07	TUF-1016-07	TUB-1026-07	TUN-1036-07

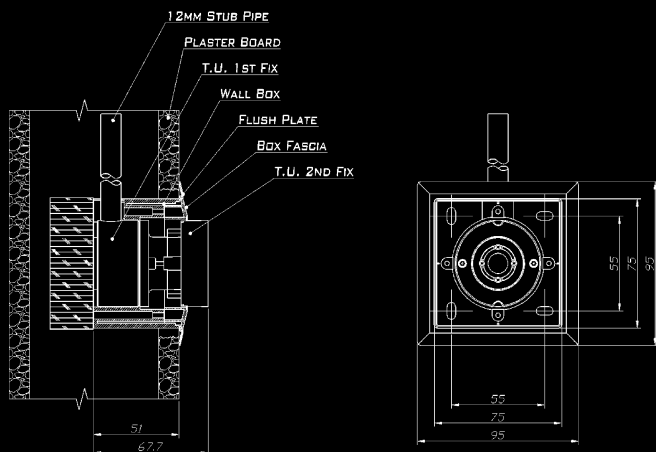
\*Other gases available on request

## INSTALLATION DIMENSIONS

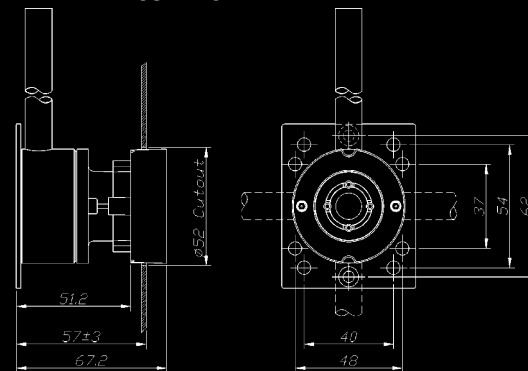
### SURFACE MOUNTING



### FLUSH/STUD WALL MOUNTING



### BED HEAD MOUNTING



**PRECISION UK Ltd**

Unit 8, Newby Rd Ind Est., Stockport, Cheshire, UK, SK7 5DA

Tel: +44 (0) 161 487 2822 Fax: +44 (0) 161 487 2816

Email: [info@precision-parts.co.uk](mailto:info@precision-parts.co.uk)

[www.precision-parts.co.uk](http://www.precision-parts.co.uk)